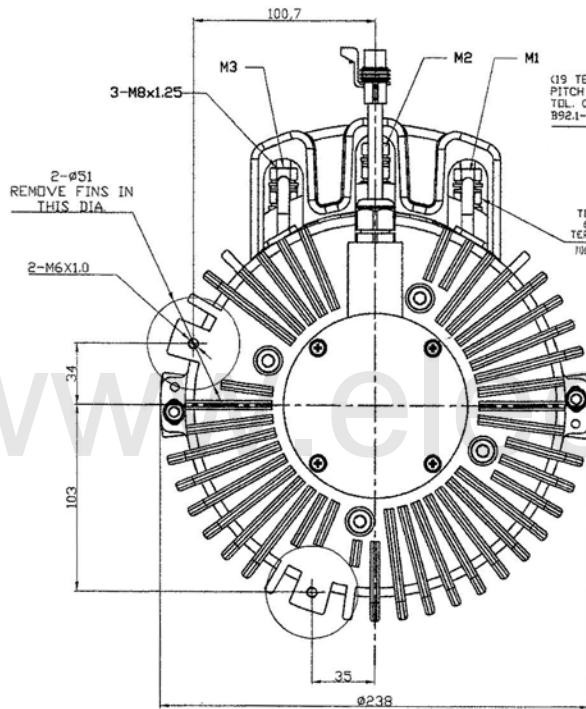


0JTW. 302. 314

THE SIZES INDICATED ARE METRIC SIZE (mm).

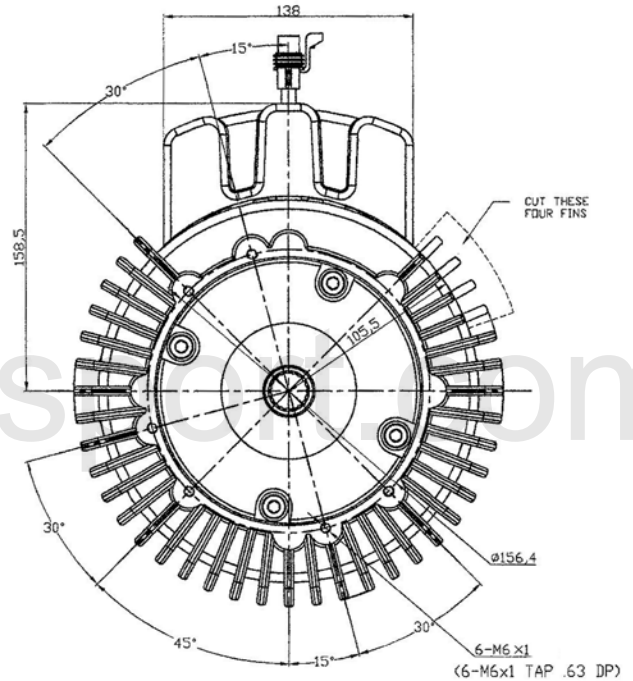
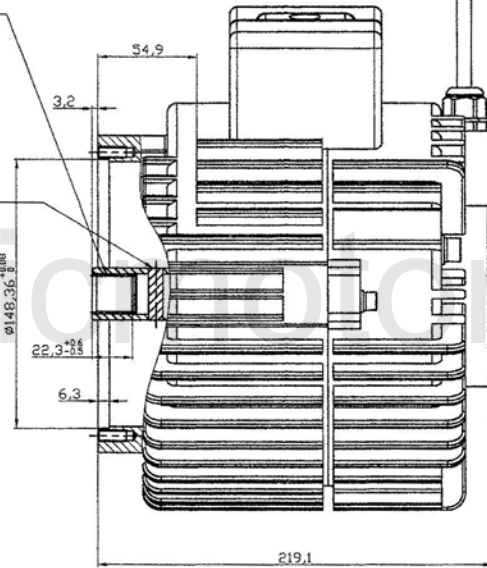


19 TEETH, 45° P.A. 24/48  
PITCH SPLINE 7917 PITCH DIA.  
TDL. CLASS 3 PER ANSI  
B92.1-1970, R1993

3-M6x1.25  
TIGHTENED TORQUE  
65 INCH L3 FOR  
TERMINAL CONNECTION  
116SL/min

DDWEL PIN  
#8X28

8 pin Metri-pack 150 series:  
Connector:12047937  
Terminal Position Assurance:15324525  
Terminal:12084200  
Cable Seal:15324973  
Seal:12059168-B



1. sine/cosine encoder

PIN LOCATION	WIRE DESIGNATION	WIRE COLOR
A	Sine	BLUE
B	Cosine	WHITE
C	Ground (0)	BLACK
D	V/C	
E	Y <sub>0</sub> (+5V)	RED
F	Shield	GREEN
G	Temp1	WHITE(-)
H	Temp2	WHITE(+)

REV.	CHANGES	BY	ECO NO.	DATE	DO NOT SCALE DRAWING THIS DRAWING IS PROPRIETARY PROPERTY OF MOTENERGY, INC CORPORATION DISCLOSED IN CONFIDENCE, WHICH MAY NOT BE USED OR DISCLOSED WITHOUT PERMISSION. RETURN PROMPTLY AFTER USE.	DIMENSIONING AND TOLERANCING PER ANSI Y14.5M-1994	MATERIAL	TITLE OUTLINE	Motenergy, Inc Singapore, USA
-	-	-	-	-	-	-	-	-	-
-	-	-	-	-	-	-	-	-	-
-	-	-	-	-	-	-	-	-	-
-	-	-	-	-	-	-	-	-	-
-	-	-	-	-	-	-	-	-	-
-	-	-	-	-	-	-	-	-	-
-	-	-	-	-	-	-	-	-	-
-	-	-	-	-	-	-	-	-	-
-	-	-	-	-	-	-	-	-	-
-	-	-	-	-	-	-	-	-	-

DRAWN: bjp 13.08.30  
APPR:  
DEPT:  
SCALE: -

DESIGN VENDOR: -  
0JTW. 302. 314