

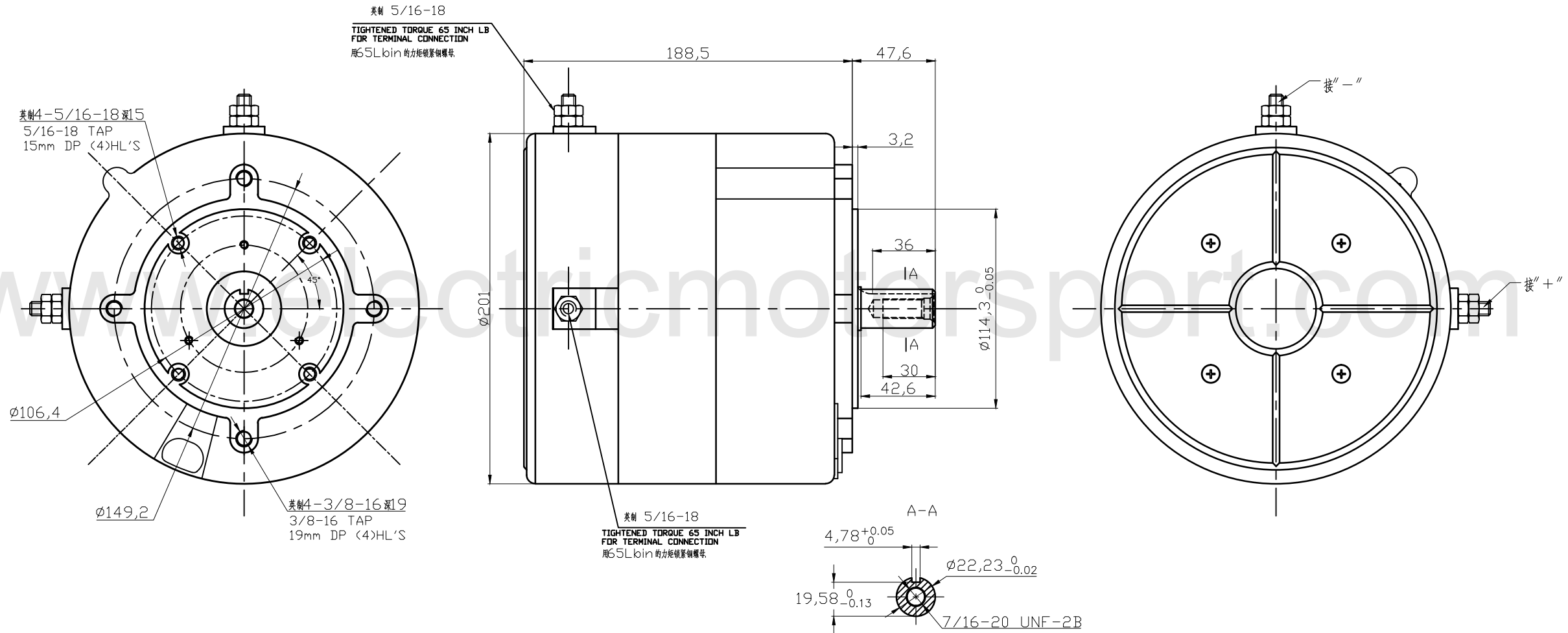
ME1008

B

A

A

B



REV.	CHANGES	BY	ECO NO.	DATE	DO NOT SCALE DRAWING THIS DRAWING IS PROPRIETARY PROPERTY OF MOTENERGY, INC. DISCLOSED IN CONFIDENCE, WHICH MAY NOT BE USED OR DISCLOSED WITHOUT PERMISSION. RETURN PROMPTLY AFTER USE.	DIMENSIONING AND TOLERANCING PER ANSI Y14.5M-1994	CLASSIFICATION OF CHARACTERISTICS CRITICAL (C): MAJOR (M):	MATERIAL	TITLE		DESIGN VENDOR: -
									OUTLINE ME1008	DRAWN: lxp 11.02.11	
-		-	-	-				S/N: CODE:			
-		-	-	-				MODEL NO:			OJW. 301.632
-		-	-	-				SIM TO:			REV SHEET - 1 OF 1